



MINICAT AIR CAP AND FLUID NOZZLE CHART

MODEL NO.	PRESS / SIPHON	AIR CAP	FLUID TIP RANGE	FAN CONTROL	AIR CAP RING	AVAILABLE FLUID NOZZLES	NEEDLES
MINICAT	Pressure / Siphon	21-M66	0.6 - 1.8	None	21-203	31-0606 0.6mm (.022")	40-M407
			0.6 - 1.8			31-0607 0.7mm (.028")	
			0.6 - 1.8			31-0610 1.0mm (.040")	40-M410
			0.6 - 1.8			31-0612 1.2mm (.046")	
			0.6 - 1.8			31-0613 1.3mm (.052")	
			0.6 - 1.8			31-0615 1.5mm (.059")	40-M415
			0.6 - 1.8			31-0618 1.8mm (.070")	

*Gun inlet pressures may vary as required by application

Operation and Maintenance Instructions for **MiniCAT** Spray Guns

Operation

1. Connect air supply hose at handle of gun.
2. Connect a pressurized fluid supply or paint siphon supply to the gun fluid inlet.

Maintenance

IMPORTANT! Routine cleaning and maintenance is essential to insure proper gun operation.

Several states prohibit spraying solvent into the atmosphere and require the use of covered gun cleaner.

1. If a gun cleaner is being used, connect and clean the gun in the gun cleaner according to the manufactures instructions.
2. If a gun cleaner is not being used:
 - Remove air cap and clean separately using clean solvent.
 - For pressure setups, connect a pressurized solvent supply to the fluid inlet, trigger the gun allowing solvent to flow thru the gun until clean.
 - For siphon setups, first clean the siphon supply container thoroughly then spray clean solvent thru the gun until clean.

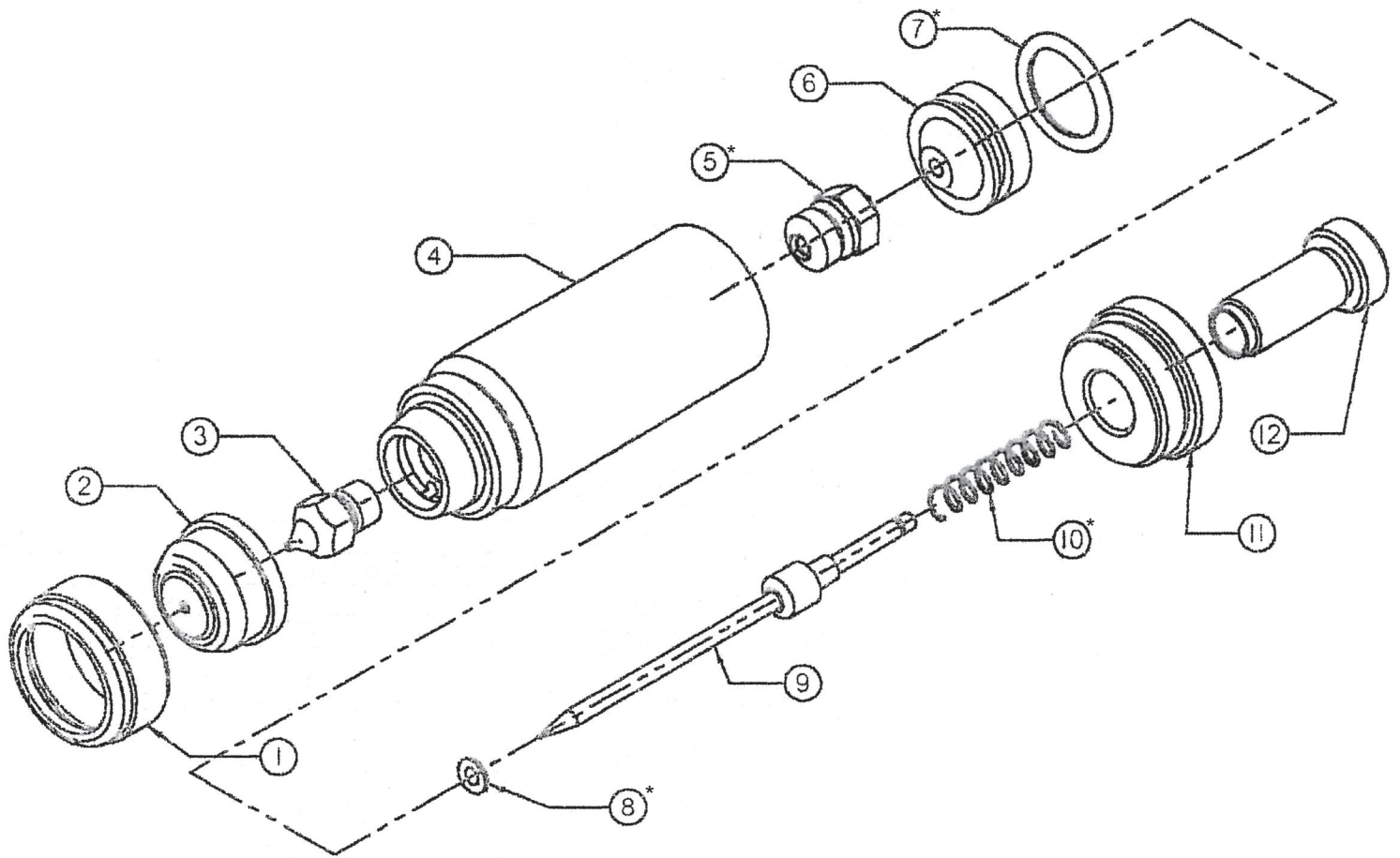
NOTE: Gun head disassembly is not recommended for normal cleaning and maintenance.

Gun disassembly and reassembly instructions:

Have repair kit # 10-109 available before gun disassembly.

Spray gun disassembly

1. Use this procedure to fully disassemble the spray gun for major repairs.
2. Remove needle (9), air piston (6), and needle seal (5) from rear of spray gun. Removal of the needle seal requires a 7/16" socket.
3. Remove fluid tip (3) from front of spray gun using 3/8" thin wall socket.
4. Clean any remaining material from the exposed parts with solvent.



ITEM NO.	PART NO.	DESCRIPTION	ITEM NO.	PART NO.	DESCRIPTION
1	See Air Cap Chart	Air Cap Ring**	7	98-7115	O-Ring, Piston*
2	See Air Cap Chart	Air Cap**	8	98-7006	O-Ring, Needle*
3	See Air Cap Chart	Fluid Tip**	9	See Air Cap Chart	Needle Assembly**
4	60-651	MiniCAT Gun Body	10	60-655	Needle Return Spring*
5	61-1026	Needle Seal Assembly*	11	60-652	End Cap
6	60-653	Piston	12	60-608	Fluid Control Knob

**See air cap selection chart on page 1

*Indicates part included in repair kit # 10-109

